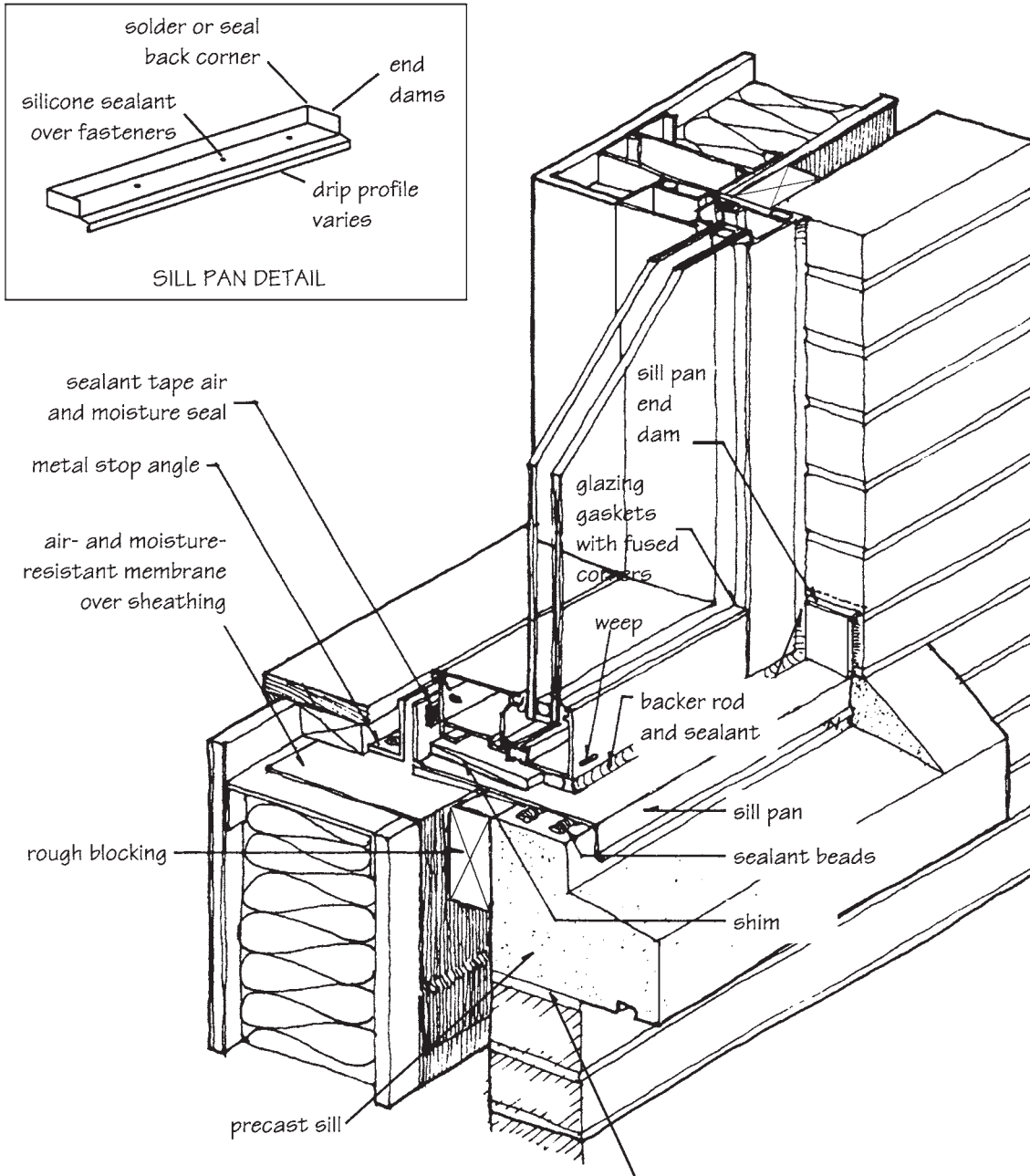


Figure 10-45 Residential wood window head, jamb, and sill details. (From BIA Technical Note 28.)



With metal window sill pan lapped over top of large precast or cast stone sill, flashing under masonry sill is usually not necessary. With brick rowlock or CMU or porous stone sill, water can penetrate through mortar joints or through porous units, so through-wall flashing and weeps should be installed under the masonry sill.

Figure 10-46 Commercial window sill flashing. (Adapted from *Nashed, Time Saver Details for Exterior Wall Design, McGraw-Hill, New York, 1996.*)